



baelz 375-E42

DESCRIPTION

Rotary actuator
with load-dependent and travel-dependent limit switches.

TECHNICAL SPECIFICATIONS

Actuator control:	3 point
Angle of rotation:	90°
Electrical connection:	3 x M20x1.5
Cover:	plastic, gray
Manual operation:	handwheel
Position indicator:	integrated in cover
Actuator:	Synchronous actuator
Mechanical connection:	according to ISO 5211 square socket connection <input type="checkbox"/> SW17 including adaptor <input type="checkbox"/> SW17/ <input type="checkbox"/> SW14

Ambient conditions:
Temperature: -10 ... +50°C
Relative humidity: 0 ... 75%

Type baelz	Weight, approx. (kg)	Torque (Nm)	Actuating speed (s/90°)	Power (VA)	Supply voltage	IP rating
375-E42-150Nm-60s-230V	7.5	150	60	65	230 V, 50/60 Hz	IP65

* Actuators with supply voltage 115 V and 24 V available upon request

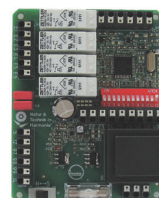
Options		
Option	Description	Remarks
2EZ	2 additional limit switches	
Fg5k	Potentiometer	5 kΩ
7020A-230V	Controller for electric actuator 230V 50 / 60Hz (115 V / 24 V optional)	2 output signals: output 1: 0...10 V and output 2: 0...20mA (factory setting) or output 1: 2...10 V and output 2: 4...20mA please specify when ordering incl. potentiometer 5 kΩ Output signal = input signal

Further accessories and electronic spares are available on request under MP375-E42... and ZB375-E42...

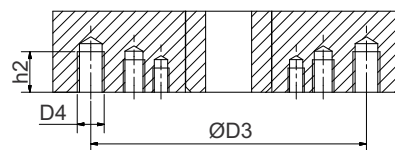
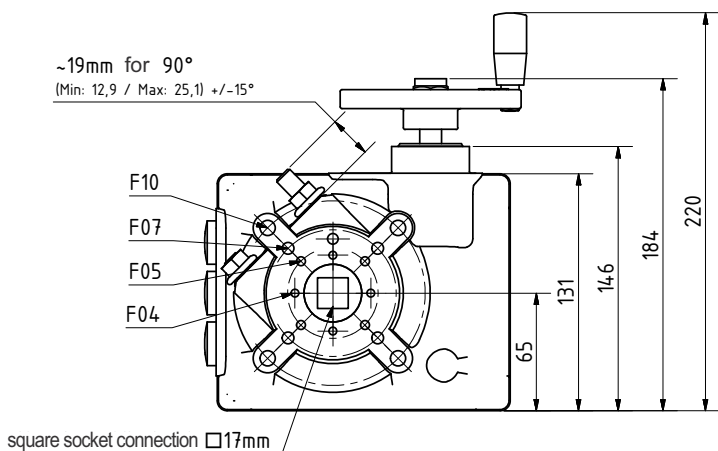
Integrated positioner for baelz 375-E42

baelz 7020A - digital positioner

See section: 3.4 Built-in controllers for electric actuators



baelz 7020A



	ØD3 (mm)	D4	h2 (mm)	Mmax (Nm)
F 04	42	M5	8	63
F 05	50	M6	9	125
F 07	70	M8	12	250
F 10	102	M10	15	500

