



## baelz 365 & 365-2

### DESCRIPTION

The baelz 365 / 365-2 ANSI 300 valve is a flanged and pressure rated 2-way control valve in accordance with US ANSI / ASME standards.

### TECHNICAL SPECIFICATIONS

Connection type: ASME / ANSI B16.5 flange

Plug type: parabolic plug

Control characteristic: equal percentage

Working fluids: liquids, gases, water, steam, thermal oil

#### Leakage class (EN 1349)

metal-to-metal seal: 0.004% Kvs (better than class IV)

For NPS 1" - 4", designation = baelz 365-2

For NPS 6", designation = baelz 365.

Other sizes available on request.

	Technical Specifications	Designation
Valve body matl.	1.0619 (1.0432) / SA216WCB (SA105)	baelz 365-2... / baelz 365...
T max. / P max.	450 °F/620 psi; 100 °F/740 psi   232 °C/42,7 bar; 38 °C/51.1 bar	baelz 365-2...
	650 °F/550 psi; 100 °F/740 psi   343 °C/37,9 bar; 38 °C/51.1 bar	baelz 365-2-K...
	650 °F/362 psi; 100 °F/362 psi   343 °C/25 bar; 38 °C/25 bar	baelz 365-K-SS...
Plug	Parabolic plug (standard)	baelz 365-2... / baelz 365...
Cooling tube / Spindle seal	V-rings in PTFE standard	baelz 365-2... / baelz 365...
	Cooling tube	baelz 365-2-K...
	Cooling tube + double-wall stainless steel bellows seal and safety gland	baelz 365-2-K-SS... / baelz 365-K-SS...
Additional options	V-shaped seal heating (for fluids at temperatures of - 10 to - 40°C) Pmax. 20 W; 12-24 V / 110-230 V AC/DC	baelz 85950...

#### baelz 365 & 365-2 ANSI 300 valve stroke, seat diameter and Cv values

NPS	1"	1 1/2"	2"	2 1/2"	3"	4"	6"
Stroke (")	0.47	0.87	0.87	0.87	0.87	0.87	1.73
Seat Ø (")	0.98	1.57	1.97	2.55	3.15	3.93	5.9
Cv (US GPM)	11.2	29.2	42.0	73.5	122.6	165.8	420
Nominal diameter, DN (mm)	<b>25</b>	<b>40</b>	<b>50</b>	<b>65</b>	<b>80</b>	<b>100</b>	<b>150</b>
Stroke (mm)	12	22	22	22	22	22	44
Seat Ø (mm)	25	40	50	65	80	100	150
Kvs value (m³/h)	9.6	25	36	63	105	142	360

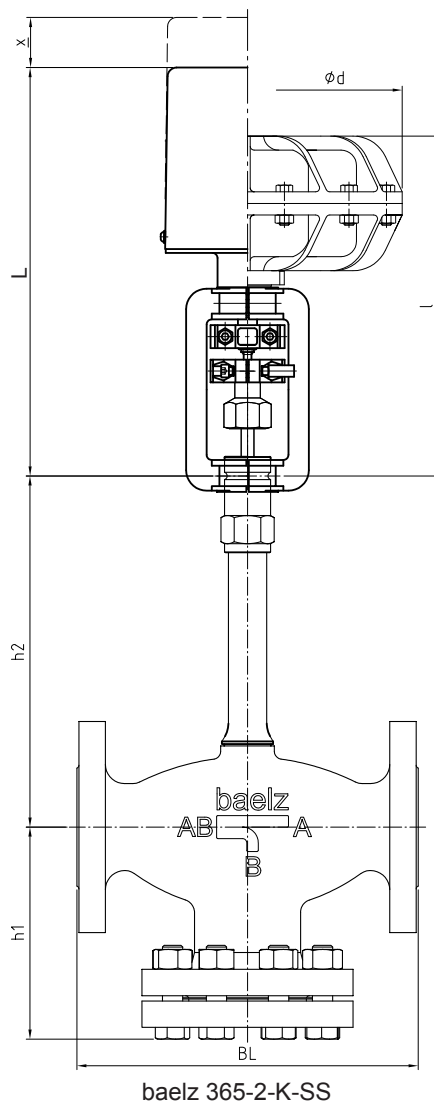
**Note:** As we are constantly improving our products, there is more than one series of this article. When ordering spares or parts for an existing system, please state the old serial numbers and, if in doubt, contact Baelz. We'll be pleased to help.

Dimensions of the Baelz actuators										
Actuator	L		x		Ød		l		ØD	
	inches	mm	inches	mm	inches	mm	inches	mm	inches	mm
E07	12.60	320	5.71	145	5.0	129				
E07-OSX	13.94	354	5.71	145	5.0	129				
E 45	13.66	347	5.9	150	6.81	173				
E 65	12.17	309	-	-	9.06	230 wide*				
E 66	24.17/43.19 <sup>+</sup>	614/1094 <sup>+</sup>	7.87	200	7.40	188				
P 21							10.6	268	9.5	242
P 21-V6							11.9	304	9.5	242
P22							12.68	322	9.5	242

<sup>+</sup> with yoke S41/with yoke S41C

\* dimensions, see datasheet of actuator E65

baelz 365-K-SS & 365-2-K-SS approximate dimensions and weights									
NPS / DN		BL		h1		h2		weight	
in.	mm	in.	mm	in.	mm	in.	mm	lbs	kg
1"	25	7.76	197	4.95	125.8	9.29	236	22.5	10.2
1 1/2"	40	9.25	235	5.91	150	11.14	283	26.1	11.8
2"	50	10.51	267	6.52	165.6	11.54	293	40.1	18.2
2 1/2"	65	11.5	292	7.22	183.3	12.32	313	54.7	24.8
3"	80	12.52	318	7.85	199.4	12.72	323	69.7	31.6
4"	100	14.49	368	8.96	227.6	13.31	338	115	51.9
6"	150	17.62	473	11.42	290	on request		262	118



**Maximum differential pressure  $\Delta P_{max}$  (bar) at which the actuator closes the valve completely**

The differential pressures specified here are limited by the nominal pressure of the valve body, if this is lower.

**Electric actuators. Plug closes against the flow.**

Actuator baelz 373-	Force (N)	DN (mm) / maximum differential pressure $\Delta P_{max}$ (bar)														
		15	20	25	32	40	50	65	80	100	125	150	200	250	300	
E07- OSX-	700	14,5	14,5	10	4,8	2,4	1,1	0,3								
E07- 20-	2000	40	40	32	20	12	8	4,8	3	2	1,2					
E65- 11-	1100	26,8	26,8	19	10	5,6	3	1,4	0,7	0,2						
E65- 20-	2000	40	40	32	20	12	8	4,8	3	2	1,2					
E45- 40-	4000	40	40	40	40	25	16	10	6,9	4,4	2,8	1,7				
E66- 80-	8000							23,8	15,1	9,3	5,7	3,1	1,6	0,9		
E66- 150-	15000								28,3	17,9	11,3	7,1	3,8	2,3	1,5	
E88- 100-	10000							28	18	11	7,4	5	2,4	1,7	1,1	
E88- 100-	13000							37	24	15	9,8	6,7	3,3	2,3	1,5	
E88- 100-	16000							40	30	19	12	8,4	4,5	2,9	2	
E88- 300-	30000									(36)	(23)	15,3	9	5,8	3,9	
E88- 300-	35000											18,9	10,5	6,7	4,6	
E88- 300-	40000											21,7	12,1	7,7	5,3	

**Pneumatic actuators (OPG) closed without compressed air. Plug closes against the flow.**

Actuator baelz 373-	Force (N)	oper. press. (bar)	DN (mm) / maximum differential pressure $\Delta P_{max}$ (bar)													
			15	20	25	32	40	50	65	80	100	125	150	200	250	300
P11- 1	950	4,0	39,5	18,2	13,6	8,1	4,3	2,4	1,1	0,5						
P21- 3	1020	1,2	29	29	16	9,9	6,3	4,6	2,7	1,8	1	0,6				
P21- 6	2040	3,0	40	40	35	21	13,5	8,9	5,2	3,4	2,2	1,4				
P21- 12	3390	6,0	40	40	40	36	23	14	8	5	3,5	2,1				
P21- 18	4030	6,0	40	40	40	40	27	18	10	7	4,5	2,8				
P21- V6	7590	6,0	40	40	40	40	40	34	20	13	8	5				
P22- 3	1846	3,0	40	40	34,5	18,8	11	6,5	3,4	2	1,1	0,5				
P22- 6	3692	6,0	40	40	40	40	25,2	15,3	8,5	5,3	3,2	1,9				
P31- 3	2480	1,2											1,1			
P31- 6	4960	3,0											2,4			
P31- 18	10560	6,0											5,3			
P32- 6	4402	3,0												0,8		
P32- 18	8115	6,0												1,8		
P41- 3	3765	1,2											2,4	1	0,6	0,4
P41- 6	7530	3,0											5	2	1,3	0,9
P41- V6	31920	6,0											21	10,5	6,5	4,5